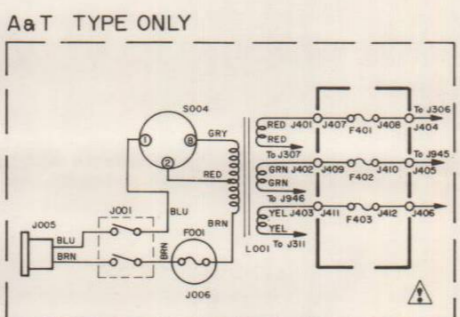
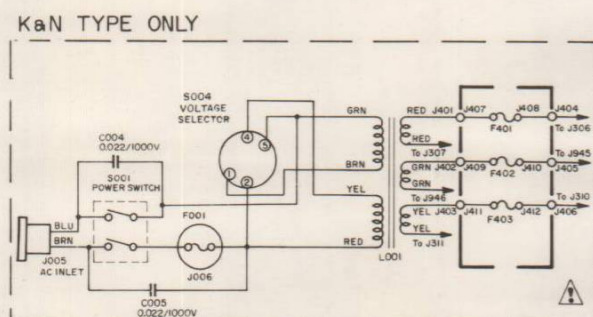
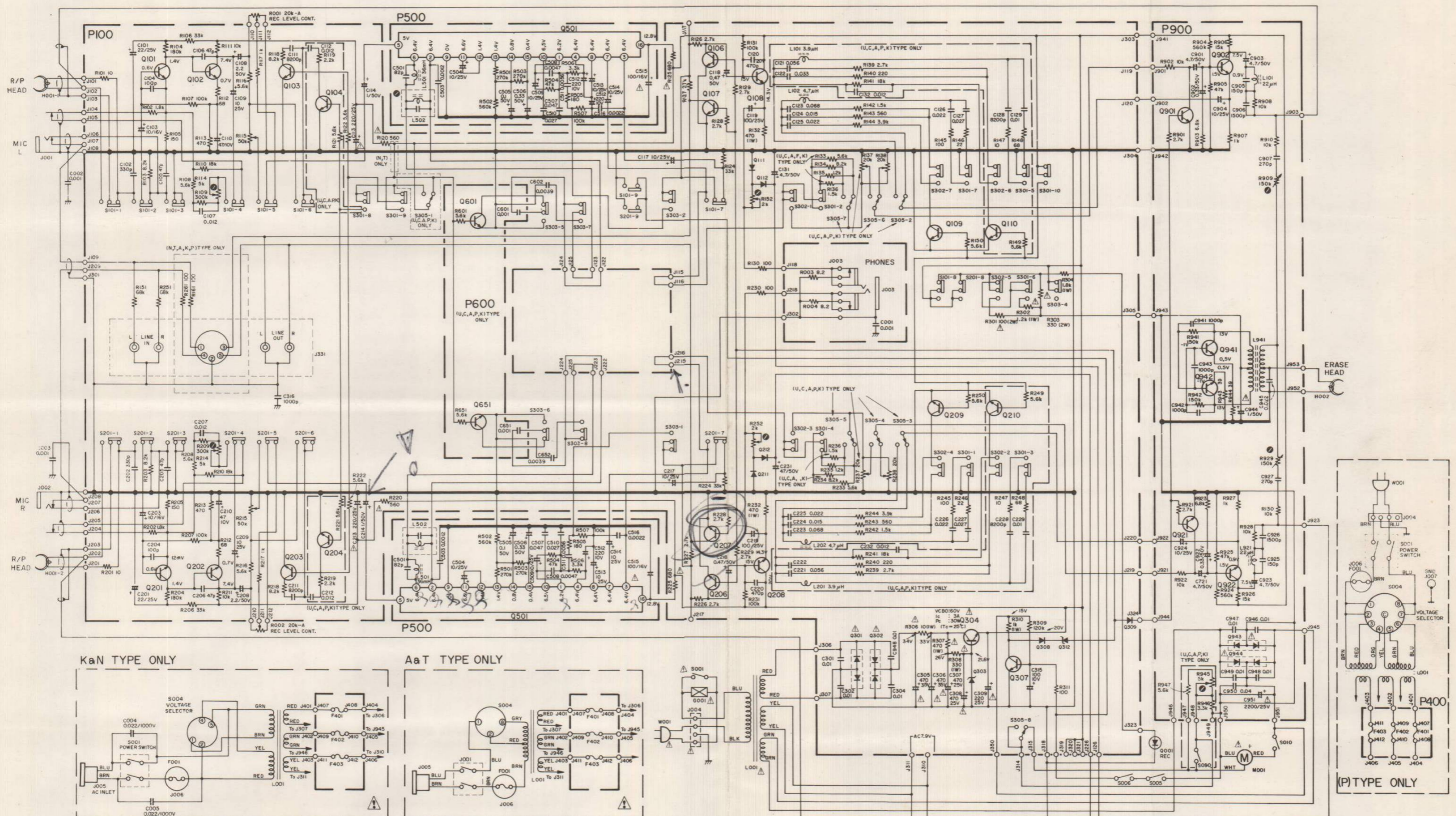


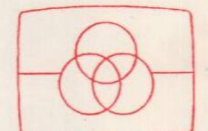
marantz

SCHEMATIC DIAGRAM FOR MODEL SD 1000

- Q001 HI10004030 SLP-132B
- Q101, Q102, Q201, Q202, Q307, HT326341 TO 25C2634 (T)
- Q103 ~ Q110, Q203 ~ Q210, Q601, Q651, Q901, Q902, Q921, Q922, HT326341 TO 25C2634 (S)
- Q111, Q112, Q211, Q212, HD10003020 20A90
- Q301, Q943 HD20020080 MI-15IR
- Q302, Q944 HD20019080 MI-15I
- Q303 HD30048090 WZ210
- Q304 HT403131E0 2SD313(E)
- Q308, Q309 HD20011050 IS1555
- Q312 HD30033090 WZ052
- Q501, HC10001630 LM101AN
- Q941, Q942 HT313181R0 25C1318 (R)



- SWITCHES**
- S001 POWER SWITCH (ON)
 - S006 PLAY MUTE SWITCH
 - S005 REC MUTE OFF SWITCH
 - S010 MOTOR SWITCH (OFF)
 - S090 FF/REW SWITCH (OFF)
 - S101 REC/PLAY SWITCH (REC)
 - S201
 - S303 DOLBY SWITCH (OFF)
 - S301 EQ SWITCH (OFF)
 - S302 BIAS SWITCH (OFF)



Free service manuals
 Gratis schema's

Digitized by

www.freerivservicemanuals.info

Note on safety: The parts marked with Δ are important parts on the safety. Please use the parts having the designated parts number without fail.